

MODEL P-5050

Thermoelectric Generator



The Model P-5050 Thermoelectric Generator contains no moving parts. It is a reliable, low-maintenance source of DC electrical power for any application where regular utilities are unavailable or unreliable.

KEY DESIGN FEATURES:

- ✓ Automatic Spark Ignition (SI)
- ✓ Automatic Fuel Shut-Off (SO)
- ✓ Fuel Filter
- ✓ Low Voltage Alarm Contacts (VSR)
- ✓ Reverse Current Protection
- ✓ API 12N Flame Arrestor (Natural Gas Only)
- ✓ Certified to CSA Std. T.I.L. R-10; CE

OPTIONAL FEATURES:

- ✓ Remote Start
- ✓ Corrosive Environmental Fuel System
- ✓ Cathodic Protection Interface
- ✓ Pole Mount or Bench Stand



Specification Sheet

Power Specifications	Power Rating at 20°C (68°F):
	50 Watts @ 14 Volts
	50 Watts @ 27 Volts

Electrical	Output Adjustment Range:
	12 V 12–18 Volts
	24 V 24–30 Volts

Output: Terminal block which accepts up to 8 AWG wire.
Opening for 3/4" conduit in base of cabinet.

Fuel Requirements	Natural Gas:
	4.8m ³ /day (168 Sft ³ /day)
	1000 BTU/Sft ³ (37.7 MJ/Sm ³) gas
	max 115 mg/Sm ³ (~170 ppmw) H ₂ S
	max 120 mg/Sm ³ H ₂ O
	max 1% free O ₂
	Propane:
	7.2 l/day (1.9 US gal/day)

Max. Supply Pressure: 344 kPa (50 psi)
Min. Supply Pressure: 103 kPa (15 psi)
Fuel Connection: 1/4" MNPT

Environmental	Ambient Operating Temperature:
	Max. +55°C (130°F)
	Min. -40°C (-40°F)
	Operating Conditions:
	Unsheltered operation, shaded at >45°C (113°F)

Please contact GPT for operating conditions below -40°C or above +55°C.

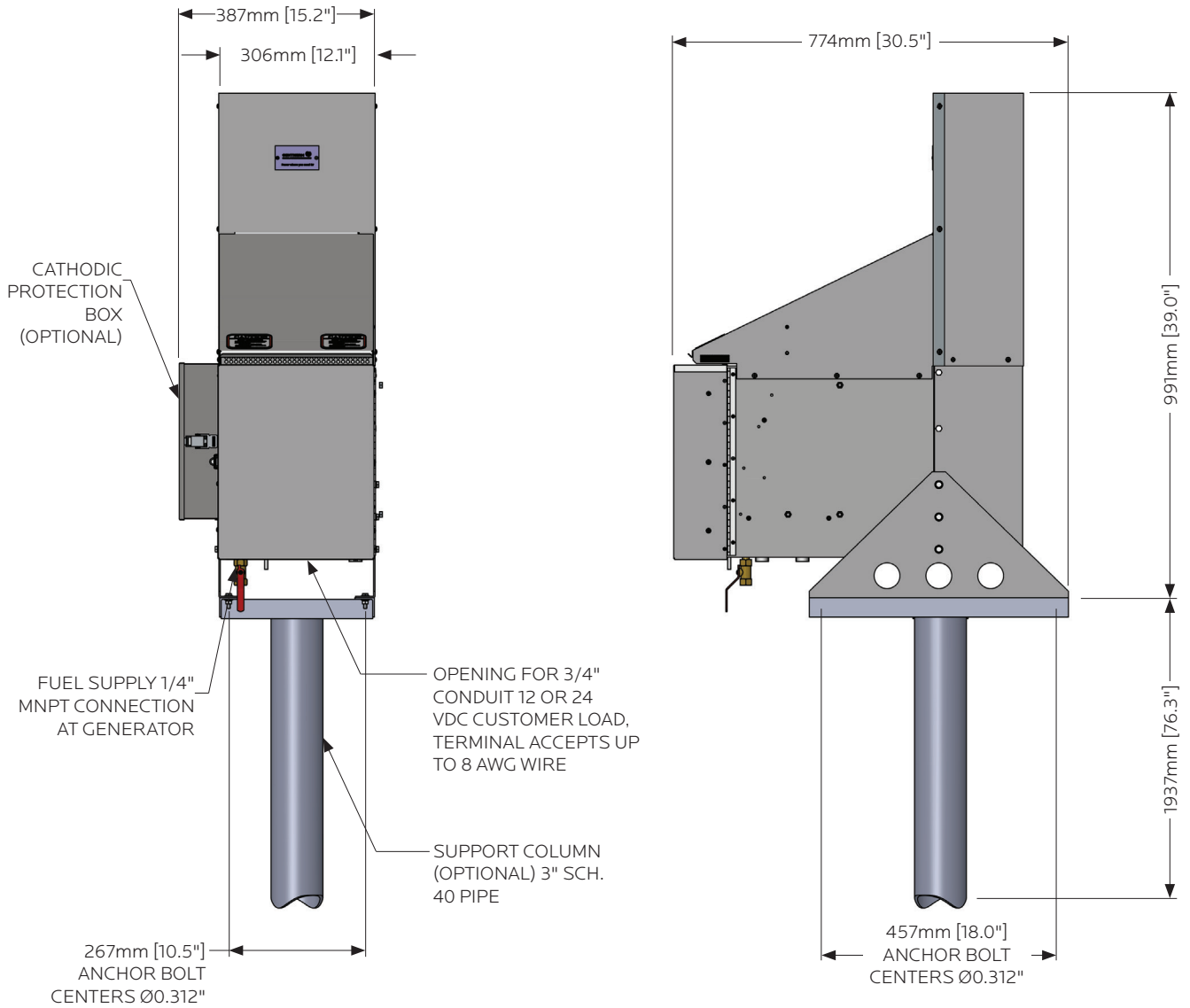
Construction	Materials:
	Cabinet: 304 Stainless Steel (SS)
	Cooling Type: Natural Convection
	Fuel System: Brass, Aluminum & Stainless Steel

Note:

Specifications shown are for standard P-5050 configurations. Global Power Technologies (GPT) also offers customized products and systems to accommodate custom voltages, fuel supply systems and operating temperatures.

Specification data stated in this document is subject to change without notice. To verify these specifications are current, please contact your GPT sales representative.

P 403 236 5556
E gptsales@globalte.com
W www.globalte.com



NOTES:

Generator Weight: 41 kg [90 lb]

Model: P-5050

Certified to CSA Std. T.I.L. R-10; CE



Global Power Technologies

p 403 236 5556
e gptsales@globalte.com
w globalte.com

16, 7875 – 57 Street SE
Calgary, Alberta, Canada T2C 5K7

En Argentina
CORPOREX S.A.
Tel. (54 11) 4709-0070/0581
info@corporex.com.ar
www.corporex.com.ar

Typical Dimensions

Model P-5050

ISO
9001:2008
REGISTERED