



# Cathodic Protection

Global Power Technologies



## When corrosion is the problem, cathodic protection is the solution.

Global Power Technologies' (GPT) thermoelectric generators (TEGs) are the perfect solution for cost-effective cathodic protection (CP).

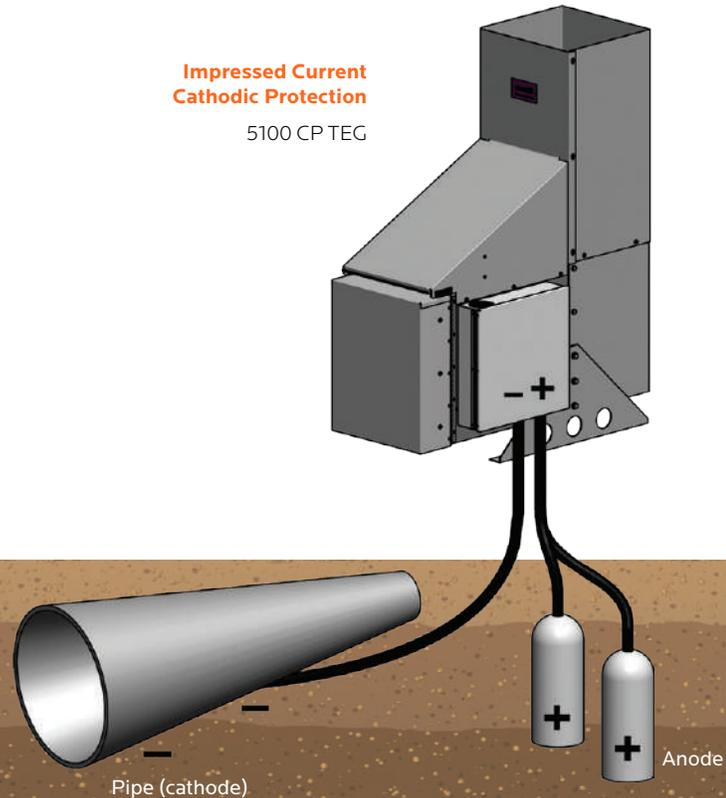
TEGs generate electrical power by the direct conversion of heat from the combustion of fuel into electricity, providing a reliable source of continuous current.

Corrosion occurs due to an electrochemical reaction between two electrodes: anodes and cathodes. Cathodic protection is an effective way to combat costly corrosion problems. Pipelines are normally anodic, but when electrical current is supplied the pipeline becomes cathodic.

**Corrosion problems?**  
We have the solution.

### Impressed Current Cathodic Protection

5100 CP TEG



### Cathodic Protection Panel:

- ✦ Provides unattended and continuous power for impressed current CP systems.
- ✦ Monitor and adjust power for CP load as needed.
- ✦ Variable resistor utilized to reduce output voltage and adjust current to ground bed.
- ✦ Optional DC/DC converter available to extend operating range.

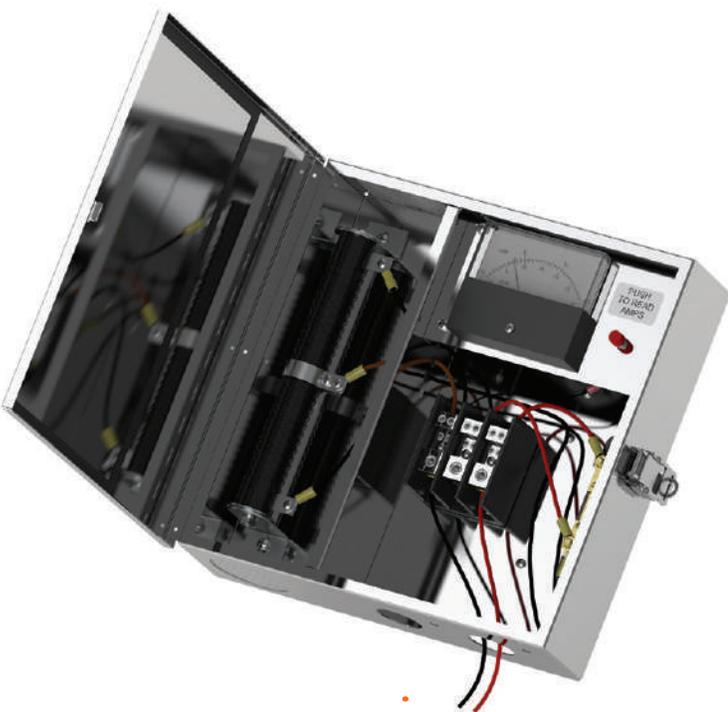
### Package Includes:

- ✦ Lockable, stainless steel enclosure.
- ✦ Easy-to-read Volt/Ammeter.
- ✦ Terminal block for up to 9mm (00 AWG) cable.
- ✦ Variable resistor to control current output.

### Options:

- ✦ Auto CP panel to monitor ground bed and adjust output power.
- ✦ Current interrupter to aid in CP surveys.
- ✦ Split current package allowing one generator to supply two cathodic loads.

**Note:** The CP interface design may vary depending upon TEG model required.



CP TEGs are generally located near the ground bed and supplied with gas from tanks, wellheads or pipelines.

The output current can be adjusted by means of an integral variable resistor allowing the output current to match the ground bed resistance.

1500 watt Auto-CP system on natural gas pipeline, Texas, USA



# Choose your CP TEG



Proven, reliable and uninterrupted operation in any environment.

## Cathodic Protection TEGs:

Global Power Technologies offers several models of thermoelectric generators to provide cathodic protection in any environment. Contact GPT today and speak with one of our knowledgeable sales representatives for site-specific information.



P: 403.236.5556  
E: gptsales@globalte.com



**P-5050**

12V ..... 5A @ 50W  
24V ..... 2.5A @ 50W

**P-5060**

6.7V ..... 8.9A @ 60W  
12V ..... 2.25A @ 54W  
24V ..... 2.5A @ 50W



**P-5100**

12V ..... 10A @ 100W  
24V ..... 5A @ 100W

**P-5120**

6.7V ..... 17.9A @ 120W  
12V ..... 9A @ 108W  
24V ..... 4.5A @ 108W



**P-5220**

12V ..... 16A @ 195W  
24V ..... 7A @ 178W

**S-8500**

12V ..... 42A @ 480W  
24V ..... 21.6A @ 520W  
48V ..... 9.79A @ 460W



**S-8550**

12V ..... 40A @ 460W  
24V ..... 23A @ 550W  
48V ..... 10.2A @ 480W



Power where you need it.®



**Power where you need it.®**

[www.globalte.com](http://www.globalte.com)